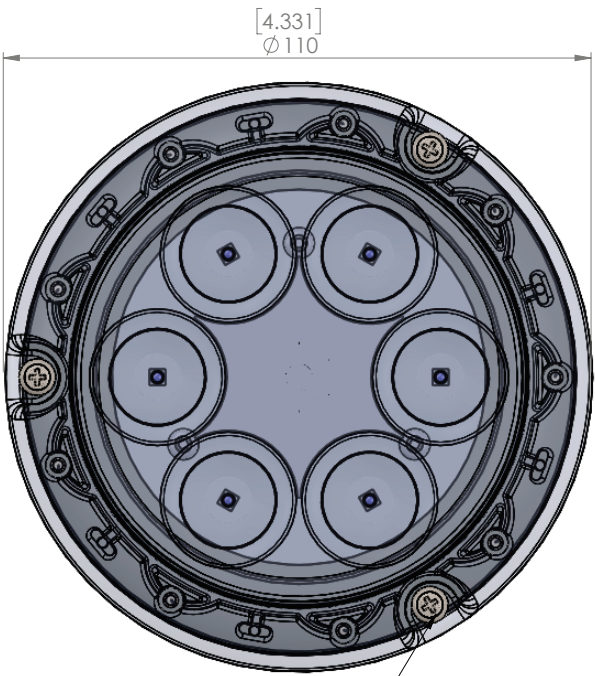
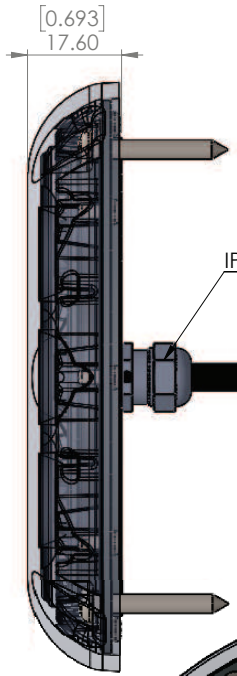


A B C D E F G H I J K



[4.331]
Ø110

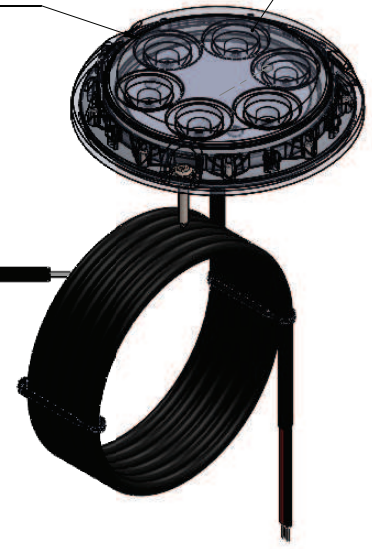


[0.693]
17.60

IP68 CABLE GLAND

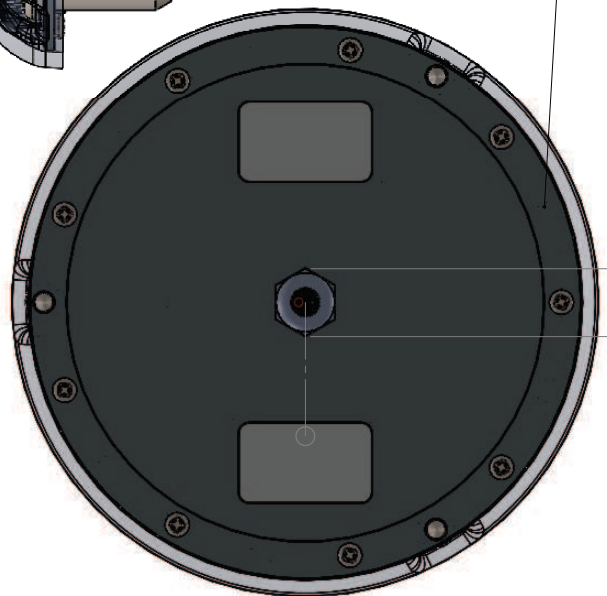
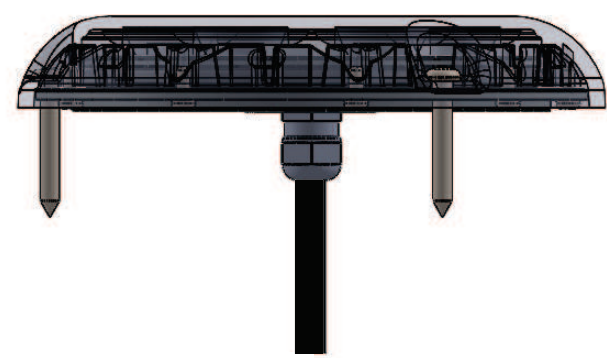
LENS: 3mm HIGH IMPACT POLYMER WITH ANTI STICK COATING

60° BEAM,ANGLE



SEALANT TRACK

MOUNTING HOLES 98mm PCD
MOUNTING SCREWS No. 6x25mm



[0.500]
Ø13 MINIMUM
HOLE DIAMETER

LUMENS	3150
MAX WATTAGE	40
NO. OF LEDs	6
I @ 12V OPTION	3.5
I @ 24V OPTION	1.8
BEAM ANGLE	60 Deg FWHM
LIGHT DIA	110mm (4.3")
LIGHT HEAD HEIGHT	17.6mm (0.7")
LIGHT OVERALL LENGTH	30mm (1.18")
MOUNT HOLE PCD	98mm (3.86")
HULL CUTOUT DIA	13mm (0.5")
LIGHT APERTURE	70mm (2.76")
WEIGHT	500gm
LENS	3mm HIGH IMPACT POLYMER WITH ANTI STICK COATING

OVER VOLTAGE, CURRENT & REVERSE POLARITY PROTECTION WITH INBUILT ACTIVE THERMAL CONTROL AVAILABLE IN BOTH 12 & 24V DC OPTIONS

THIRD ANGLE PROJECTION Sheet. 2 of 3 Scale. 1:1 A3



ALL DIMENSIONS ARE IN MILLIMETERS
TOLERANCES ON CASTINGS, UNMACHINED PARTS AND FABRICATIONS, +/- 0.8
TOLERANCES ON MACHINED DIMENSIONS
WHOLE UNITS +/- 0.25
ONE DEC. PLACE +/- 0.1
TWO DEC. PLACE +/- 0.05
ANGLES +/- 0.5 DEG.

Iss	Rev	Status	Date	Change	Drawn	Chk'd	Appv'd
-	-	See Sheet1	-	-	-	-	-

Notes.

Description.	P6 NITRO		
Material.			
Finish.			
DWG No.	Iss.	Rev.	Status.
GAA-0128 Iss A00C	A00	C	RELEASED